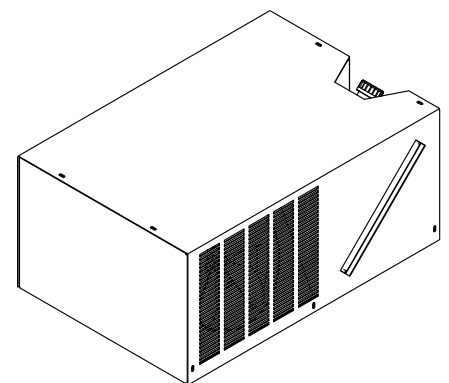
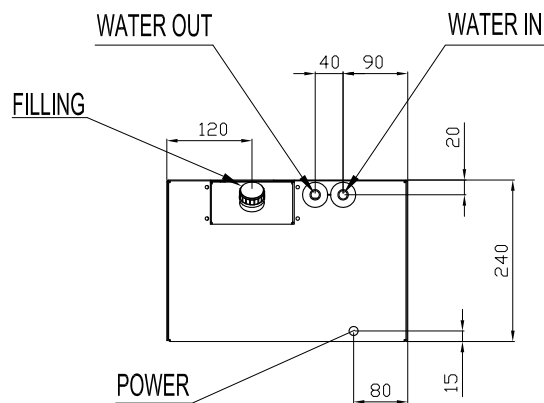
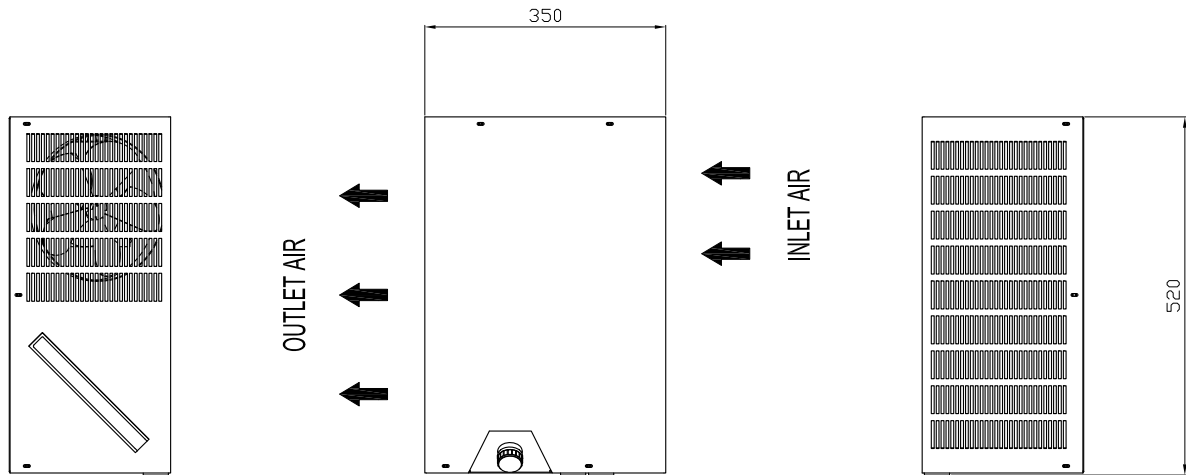


All rights reserved by Euro Cold S.r.l Modena (Italy). These drawings and specifications are the property of Euro Cold S.r.l. and shall not be reproduced, copied or used directly or indirectly for any purpose without the express written permission of EURO COLD S.r.l

TECHNICAL DATA ARE SUBJECT TO CHANGE WITHOUT PRIOR NOTICE AND OVERALL DIMENSION CAN CHANGE DUE TO THE REQUESTED ACCESSORIES.

FRAME AWEX 7.5



HYDRAULIC CONNECTION SIZES

AWEX 7.5	
IN	G.1/4"
OUT	G.1/4"

Material:

Thickness:

Z Y X W V U T S R Q P O N M L K J I H G F E D C B A

EDITION



EURO COLD srl
Tel. +39.059.817.8138
www.eurocold.it

Title:

Scale :



Designed:

Date:

06-09-2018

Sign:

Weight (g)

Model number:

Code:

Q.ty:

Drawing number:

AWEX 7.5_REV01