

4

3

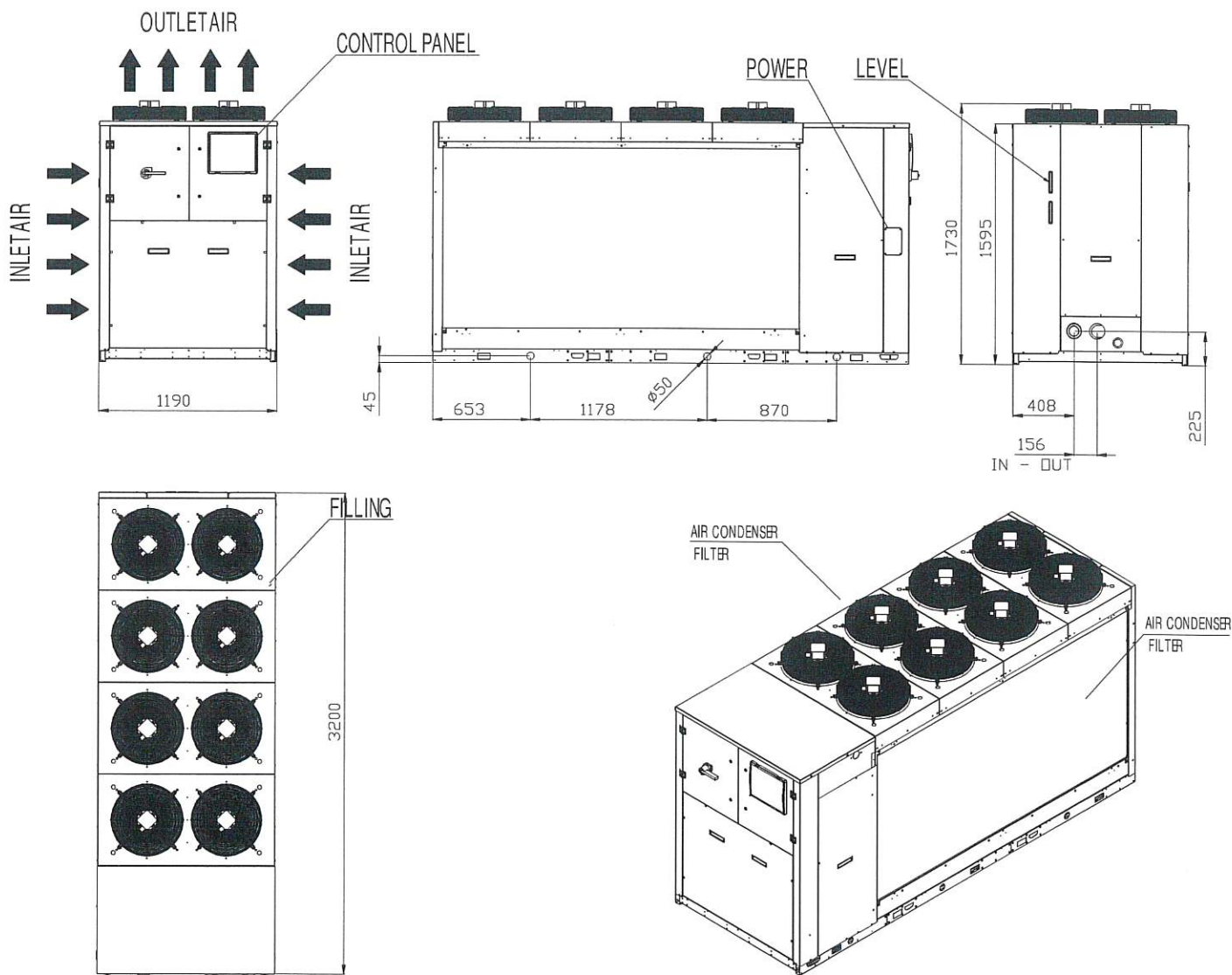
2

1

All rights reserved by Euro Cold S.r.l Modena (Italy). These drawings and specifications are the property of Euro Cold S.r.l. and shall not be reproduced, copied or used directly or indirectly for any purpose without the express written permission of EURO COLD S.r.l.

TECHNICAL DATA ARE SUBJECT TO CHANGE WITHOUT PRIOR NOTICE AND OVERALL DIMENSION CAN CHANGE DUE TO THE REQUESTED ACCESSORIES.

FRAME D5-8V MCHE



HYDRAULIC CONNECTION SIZES

ACW-MP-HE 880/900	
IN	G.3"
OUT	G.3"

Material:

Thickness:

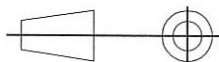
ZYXWVUTSRQPONMLKJIHGFEDCBA

EDITION



EURO COLD srl
Tel. +39.059.817.8138
www.eurocold.it

Scale :



Designed:

Date: 06-09-2023

Sign: CM

Title:

Weight (g)

Model number:

AC - 880/900

Code:

Q.ty:

Drawing number:

D5-8V_MCHE_REV00