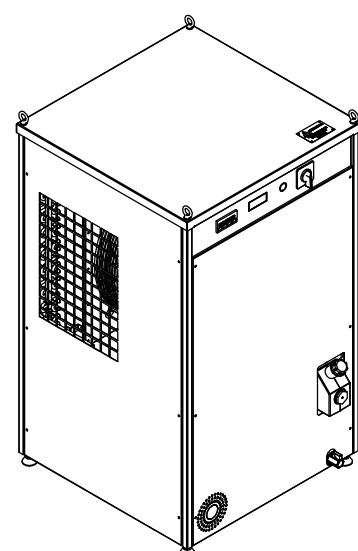
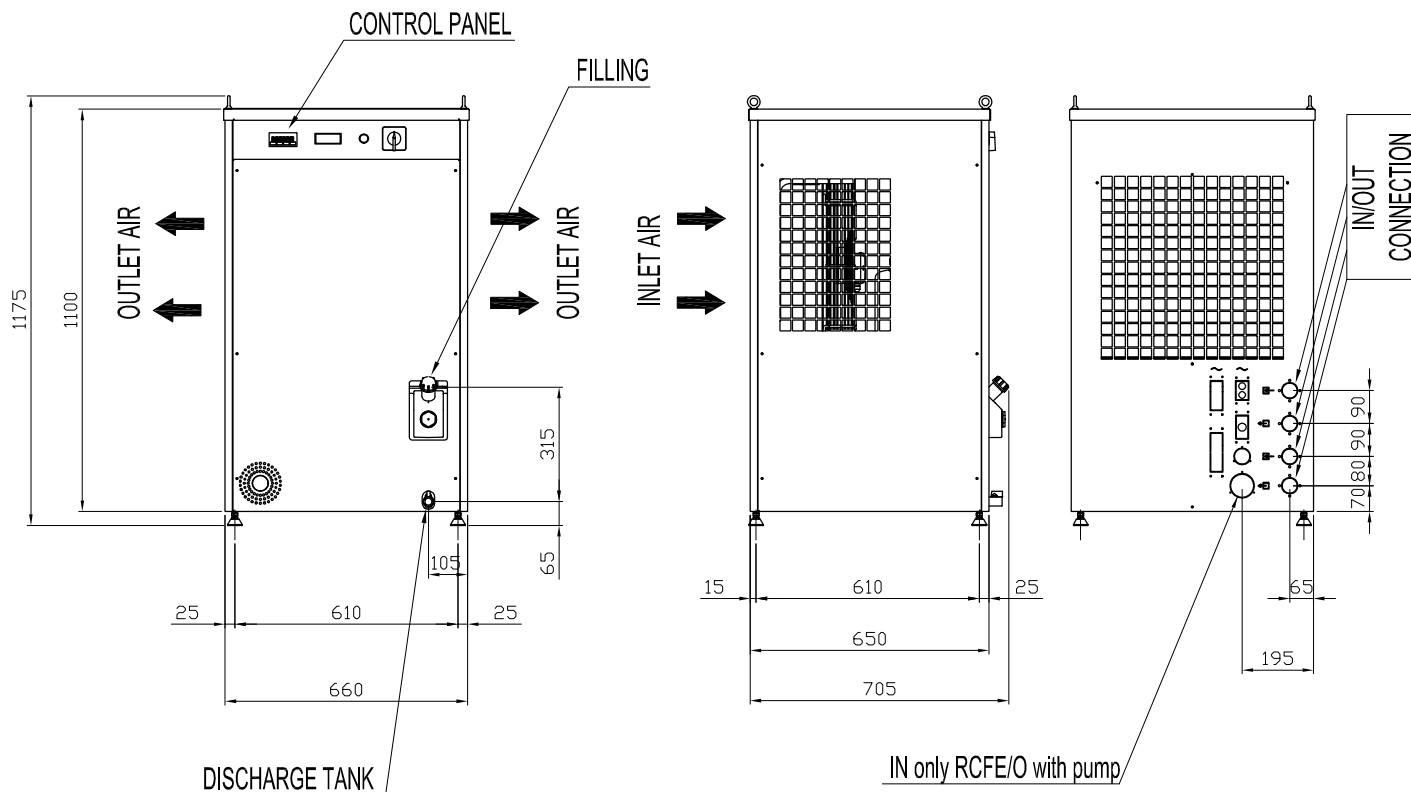


All rights reserved by Euro Cold S.r.l Modena (Italy). These drawings and specifications are the property of Euro Cold S.r.l. and shall not be reproduced, copied or used directly or indirectly for any purpose without the express written permission of EURO COLD S.r.l

TECHNICAL DATA ARE SUBJECT TO CHANGE WITHOUT PRIOR NOTICE AND OVERALL DIMENSION CAN CHANGE DUE TO THE REQUESTED ACCESSORIES.

FRAME ECP3-B



HYDRAULIC CONNECTION SIZES						
		NO PUMP		PUMP		
	ACO-LP/ACW-LP 60	RCFE 60	RCFO 60	RCFE 60	RCFO 60	LTW 50/60
IN	G.1"	G.1"	G.1"	G.1"	G.1" 1/4	G.1"
OUT	G.1"	G.1"	G.1"	G.1"	G.1"	G.1"

Material: -- Thickness: -- Z Y X W V U T S R Q P O N M L K J I H G F E D C B A

EDITION



EURO COLD srl
Tel. +39.059.817.8138
www.eurocold.it

Title: **LAYOUT**

Scale : Designed:
Date: 13-10-2015
Sign: --

Weight (g)
--

Model number: Code: -- Q.ty: -- Drawing number: **ECP3-B_REV02**