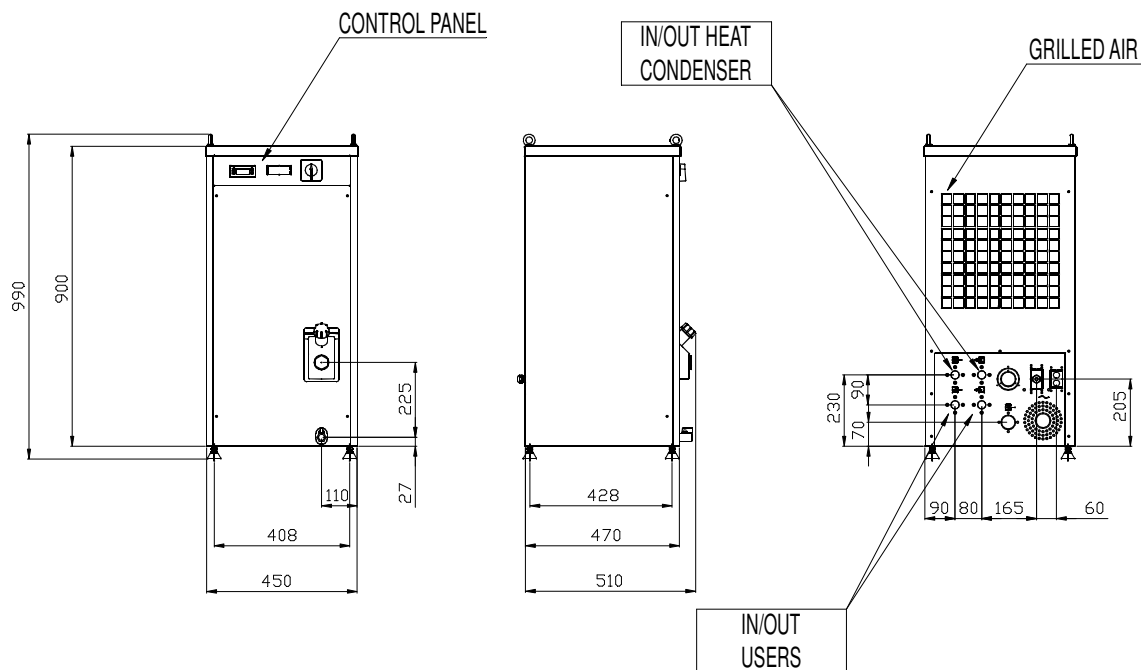


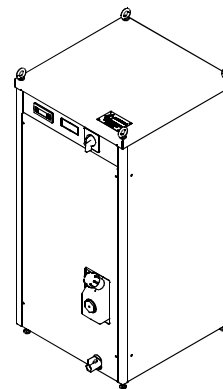
All rights reserved by Euro Cold S.r.l Modena (Italy). These drawings and specifications are the property of Euro Cold S.r.l. and shall not be reproduced, copied or used directly or indirectly for any purpose without the express written permission of EURO COLD S.r.l

TECHNICAL DATA ARE SUBJECT TO CHANGE WITHOUT PRIOR NOTICE AND OVERALL DIMENSION CAN CHANGE DUE TO THE REQUESTED ACCESSORIES.

FRAME W-SCW ECPB1



HYDRAULIC CONNECTION SIZES	
	WCW ECP1-B
IN	G.3/4"
OUT	G.3/4"



Material: Thickness: Z Y X W V U T S R Q P O N M L K J I H G F E D C B A

EDITION



EURO COLD srl
 Tel. +39.059.817.8138
 www.eurocold.it

Scale :



Designed:

Date: 09-11-2018

Sign:

Title:

Weight (g)

Model number:

ECPB 1

Code:

Q.ty:

Drawing number:

W-SCW_ECPB 1_REV02