

4

3

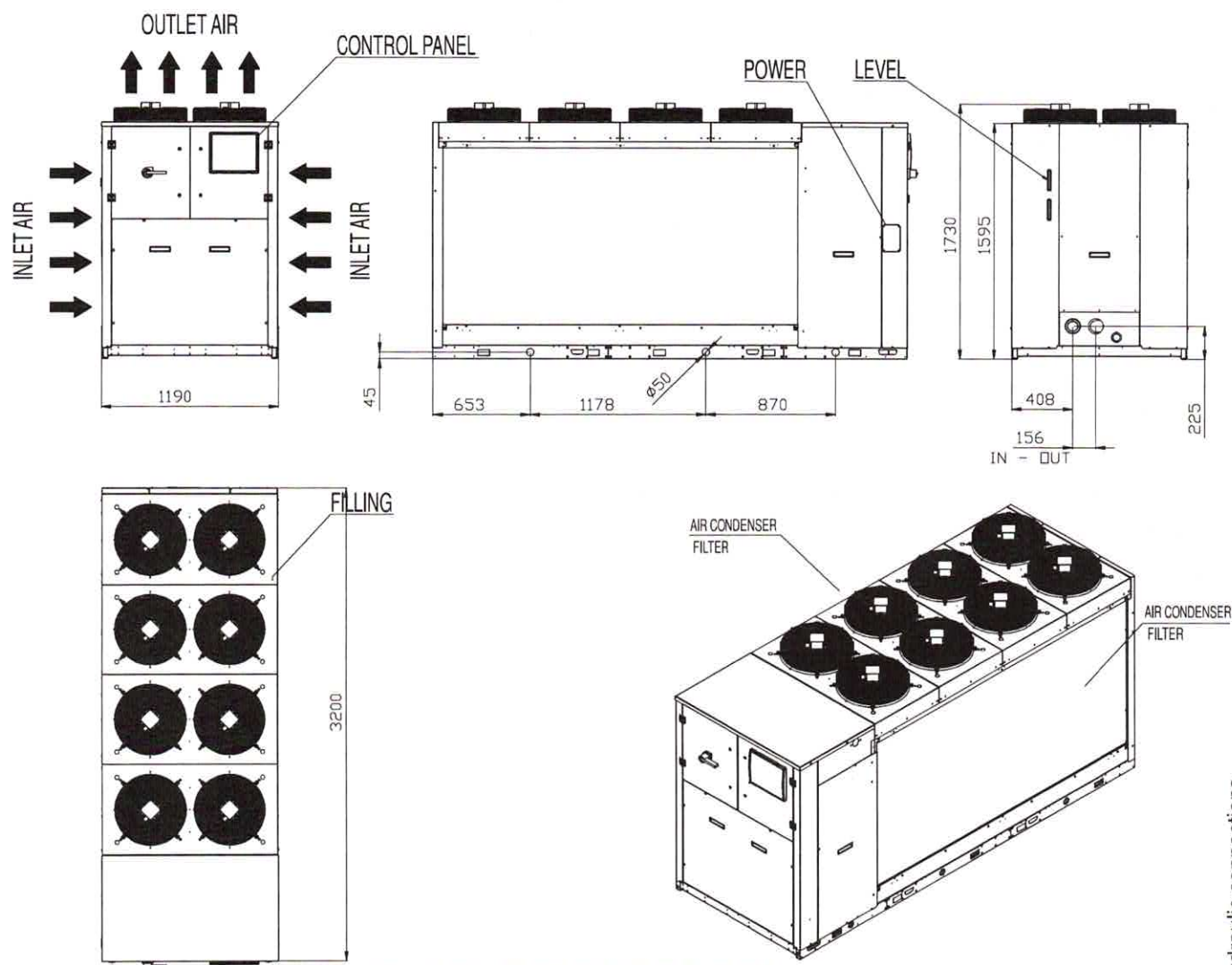
2

1

All rights reserved by Euro Cold S.r.l Modena (Italy). These drawings and specifications are the property of Euro Cold S.r.l. and shall not be reproduced, copied or used directly or indirectly for any purpose without the express written permission of EURO COLD S.r.l

TECHNICAL DATA ARE SUBJECT TO CHANGE WITHOUT PRIOR NOTICE AND OVERALL DIMENSION CAN CHANGE DUE TO THE REQUESTED ACCESSORIES.

## FRAME D5-8V MCHE



### HYDRAULIC CONNECTION SIZES

|     | ACW-MP-HE 880/900 |
|-----|-------------------|
| IN  | G.2"1/2           |
| OUT | G.2"1/2           |

Material:

Thickness:

1

EDITION



**EURO COLD srl**  
Tel. +39.059.817.8138  
www.eurocold.it

Scale :



Designed:

Date: 06-09-2023

Sign: CM

Title:

Weight (g)

Model number:

AC - 880/900

Code:

Q.ty:

Drawing number:

D5-8V\_MCHE\_REV01

REV01 - 06/09/2024 - hydraulic connections

A