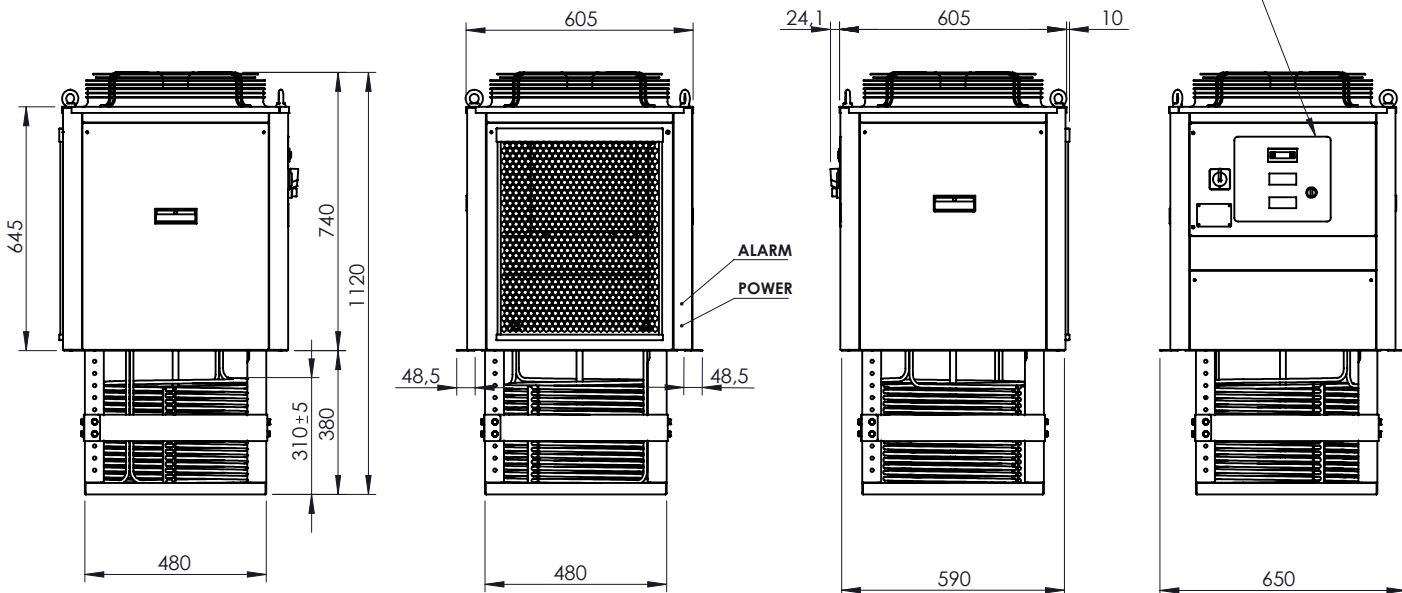


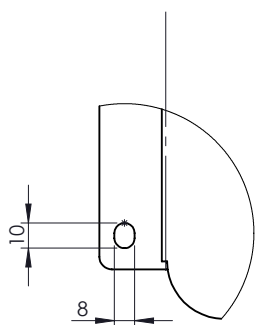
TECHNICAL DATA ARE SUBJECT TO CHANGE WITHOUT PRIOR NOTICE AND OVERALL DIMENSION CAN CHANGE DUE TO THE REQUESTED ACCESSORIES

### ECIK-045

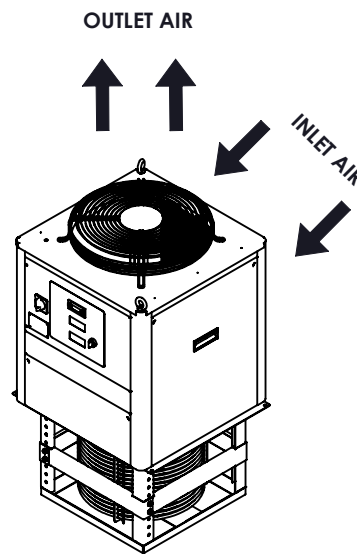
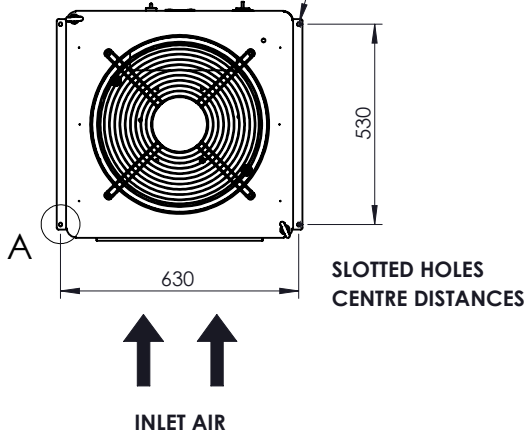
CONTROL PANEL



N°4 SLOTTED HOLES 10x8



DETAIL A  
SCALA 1 : 3



Material:	FORMATO A4
-----------	------------

EDITION	
---------	--

	<b>EURO COLD srl</b> Tel. +39.059.817.8138 www.eurocold.it	Scale : <b>1:20</b>	Designed:	General tolerance: UNI EN 22768-m
			Date: <b>06/03/2025</b>	
Title: <b>LAYOUT ECIK-045 SL</b>			Sign: <b>T_D.</b>	Weight (kg)

Model number: <b>ECIK-045</b>	Code: <b>24-AA-00450</b>	Surface (m <sup>2</sup> ):	Drawing number: <b>ECIK-045_REV04</b>
----------------------------------	-----------------------------	----------------------------	--

All rights reserved by Eurocold S.r.l Modena (Italy). These drawings and specifications are the property of Eurocold S.r.l. and shall not be reproduced, copied or used directly or indirectly for any purpose without the express written permission of EURO COLD S.r.l