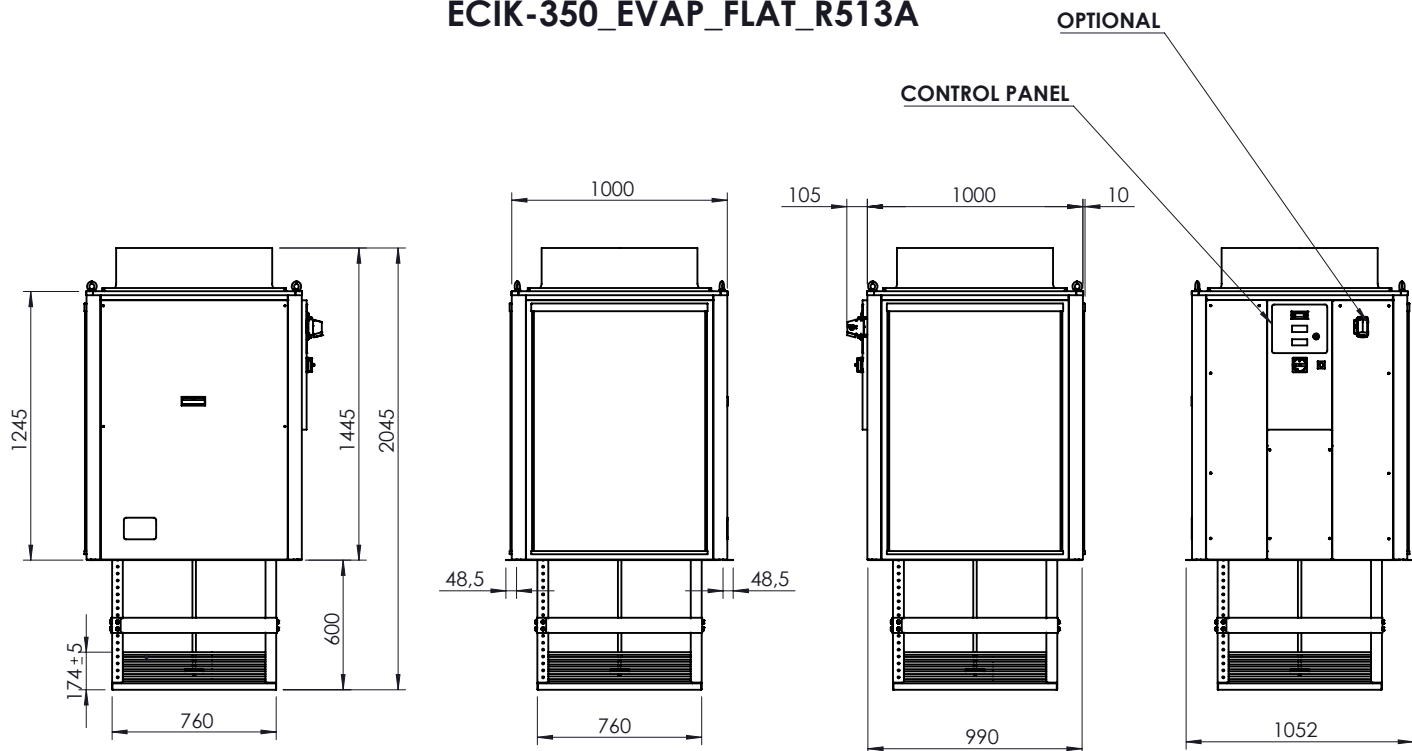
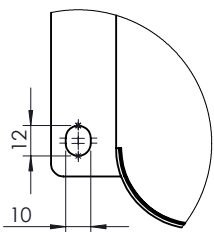
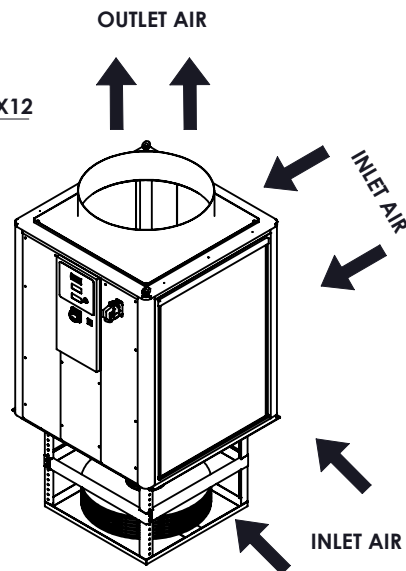
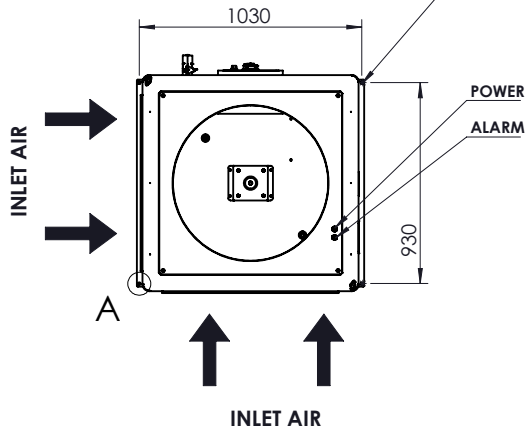


TECHNICAL DATA ARE SUBJECT TO CHANGE WITHOUT PRIOR NOTICE AND OVERALL DIMENSION CAN CHANGE DUE TO THE REQUESTED ACCESSORIES

### ECIK-350\_EVAP\_FLAT\_R513A



SLOTTED HOLES CENTRE DISTANCES N°4 SLOTTED HOLES 10X12



DETAIL A  
SCALA 1 : 3

Material:	FORMATO A4
-----------	------------

EDITION	
---------	--

	<b>EURO COLD srl</b> Tel. +39.059.817.8138 www.eurocold.it	Scale : <b>1:35</b>	Designed:	General tolerance: UNI EN 22768-m
			Date: <b>24/03/2026</b>	
Title:			Sign: <b>T.D.</b>	Weight (kg)

**LAYOUT ECIK-350\_EVAP\_FLAT\_R513A SL**

Model number: <b>ECIK-350</b>	Code: <b>24-AA-E3500</b>	Surface (m <sup>2</sup> ):	Drawing number: <b>ECIK-350_EVAP_FLAT_R513A_REV00</b>
----------------------------------	-----------------------------	----------------------------	--