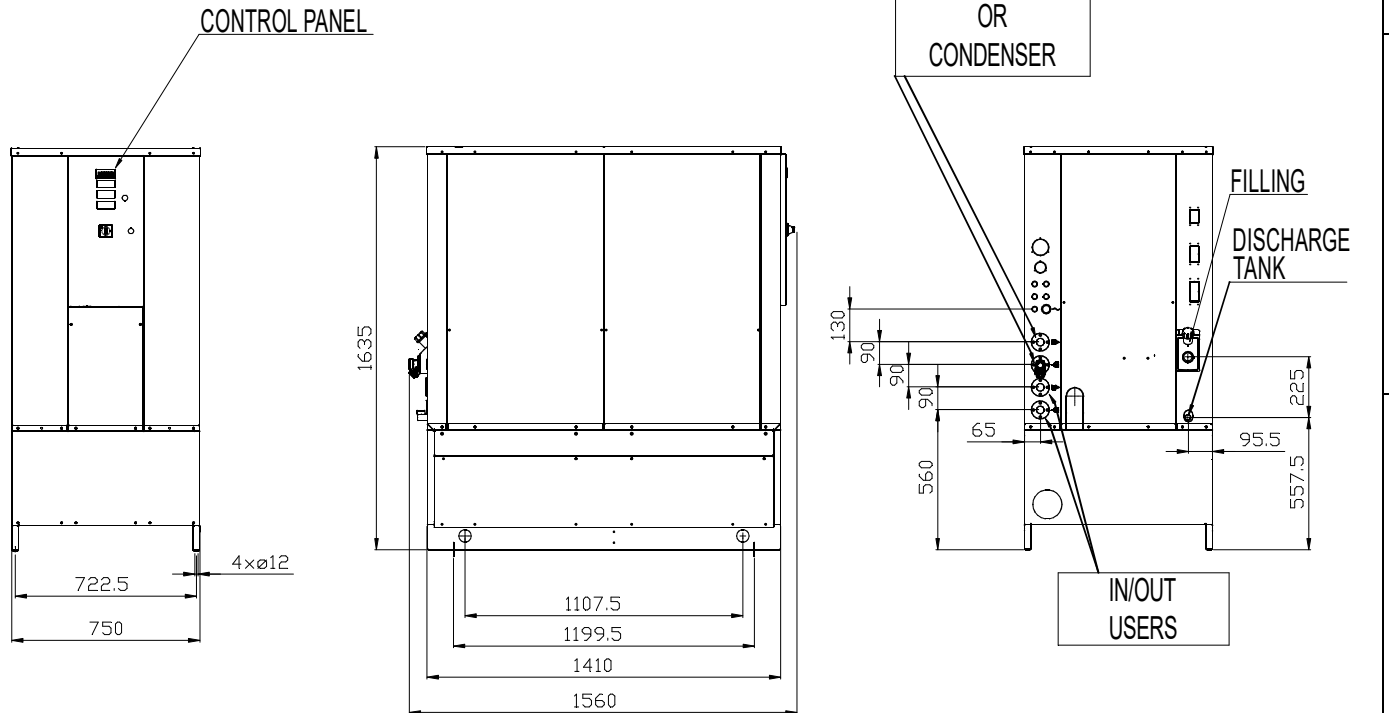


All rights reserved by Euro Cold S.r.l Modena (Italy). These drawings and specifications are the property of Euro Cold S.r.l. and shall not be reproduced, copied or used directly or indirectly for any purpose without the express written permission of EURO COLD S.r.l.

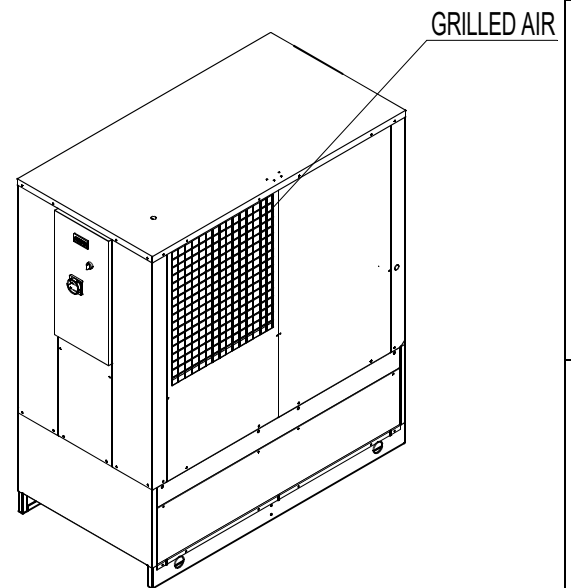
TECHNICAL DATA ARE SUBJECT TO CHANGE WITHOUT PRIOR NOTICE AND OVERALL DIMENSION CAN CHANGE DUE TO THE REQUESTED ACCESSORIES.

FRAME W-SCW D3H



HYDRAULIC CONNECTION SIZES

	W-SCW D3
IN	G.1"
OUT	G.1"

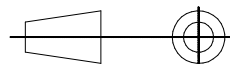


Material: Thickness: Z Y X W V U T S R Q P O N M L K J I H G F E D C B A
EDITION



EURO COLD srl
Tel. +39.059.817.8138
www.eurocold.it

Scale :



Designed:

Date: 10-01-2025

Sign:

Title:

Weight (g)

Model number:

Code:

Q.ty:

Drawing number:

W-SCW_D3H_REV01