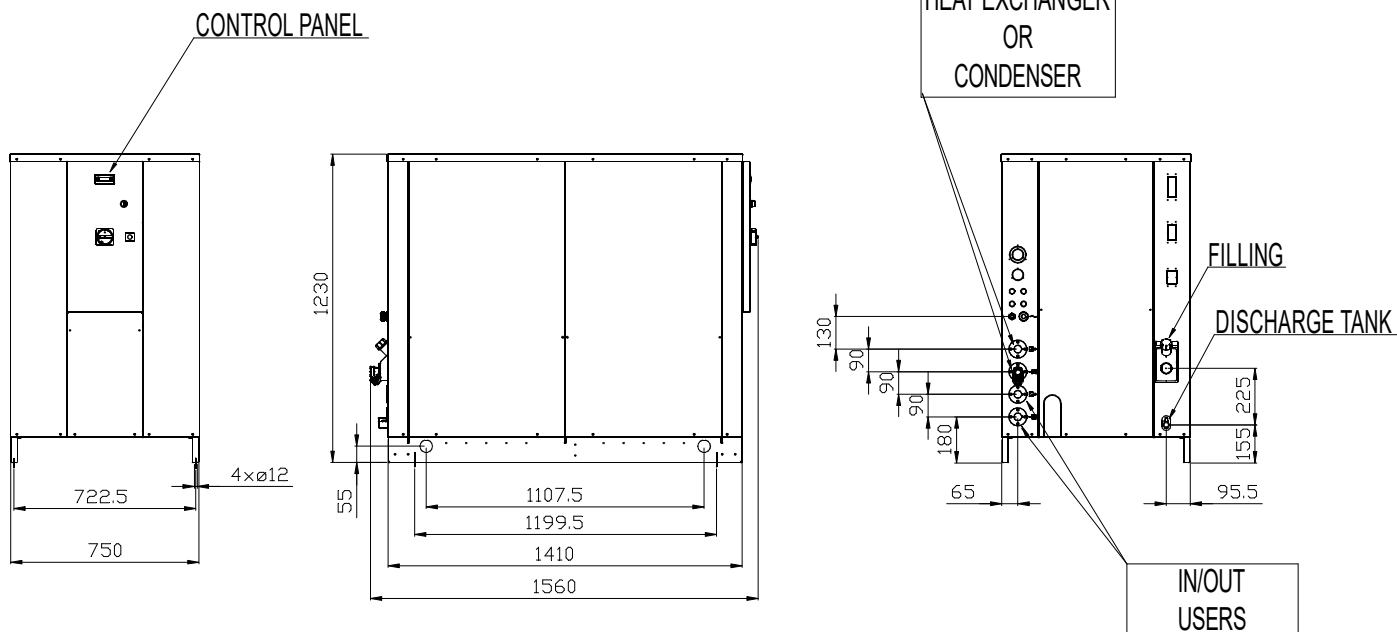


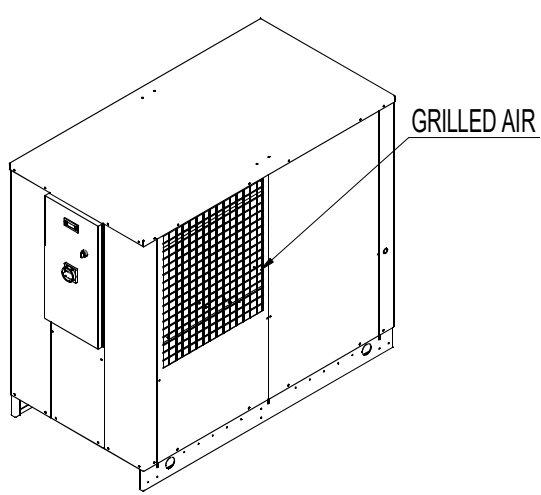
All rights reserved by Euro Cold S.r.l Modena (Italy). These drawings and specifications are the property of Euro Cold S.r.l. and shall not be reproduced, copied or used directly or indirectly for any purpose without the express written permission of EURO COLD S.r.l

TECHNICAL DATA ARE SUBJECT TO CHANGE WITHOUT PRIOR NOTICE AND OVERALL DIMENSION CAN CHANGE DUE TO THE REQUESTED ACCESSORIES.

FRAME W-SCW D3



| HYDRAULIC CONNECTION SIZES |      |
|----------------------------|------|
| W-SCW D3                   |      |
| IN                         | G.1" |
| OUT                        | G.1" |



Material: Thickness: Z Y X W V U T S R Q P O N M L K J I H G F E D C B A

EDITION



**EURO COLD srl**  
 Tel. +39.059.817.8138  
 www.eurocold.it

Scale : Designed:   
 Date: 10-01-2025   
 Sign:   
 Weight (g)

Model number: Code: Q.ty: Drawing number: **W-SCW\_D3\_REV01**