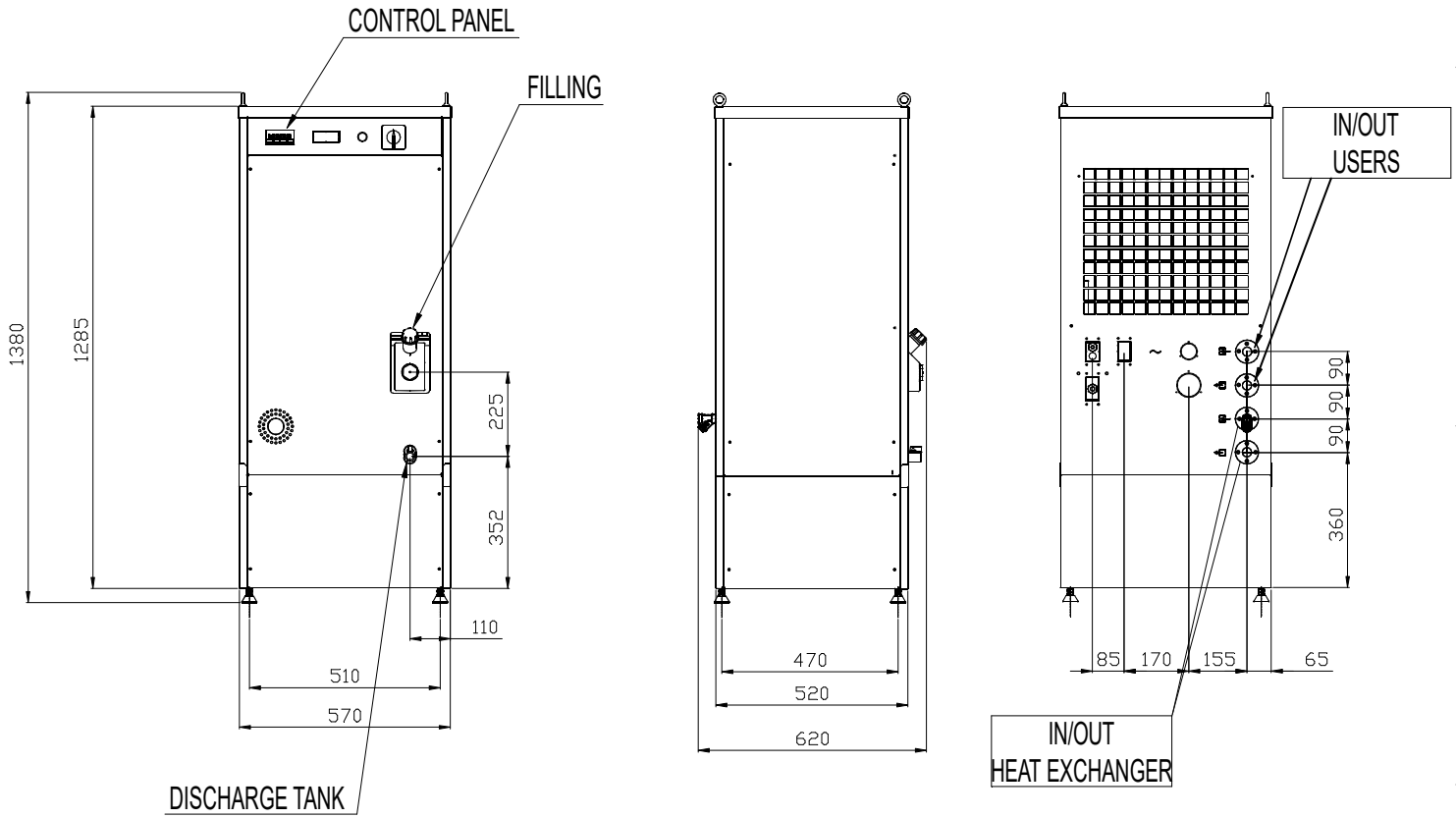


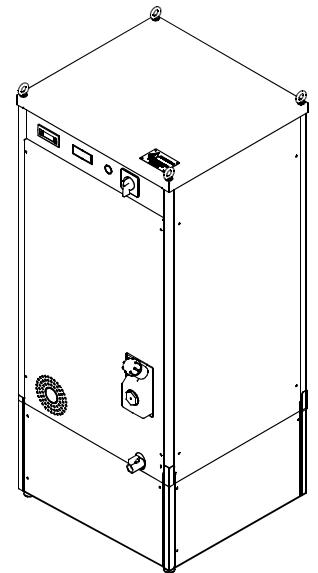
All rights reserved by Euro Cold S.r.l Modena (Italy). These drawings and specifications are the property of Euro Cold S.r.l. and shall not be reproduced, copied or used directly or indirectly for any purpose without the express written permission of EURO COLD S.r.l


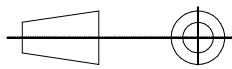
TECHNICAL DATA ARE SUBJECT TO CHANGE WITHOUT PRIOR NOTICE AND OVERALL DIMENSION CAN CHANGE DUE TO THE REQUESTED ACCESSORIES.

FRAME W-SCW-ECP2H-B



HYDRAULIC CONNECTION SIZES	
W-SCW ECP2-B	
IN	G.3/4"
OUT	G.3/4"



Material:	Thickness:	Z	Y	X	W	V	U	T	S	R	Q	P	O	N	M	L	K	J	I	H	G	F	E	D	C	B	A		
		EDITION																											
	EURO COLD srl Tel. +39.059.817.8138 www.eurocold.it	Scale :										Designed:																	
												Date: 09-01-2025																	
Title:												Sign:		Weight (g)															
Model number: ECPB2					Code:					Q.ty:					Drawing number: W-SCW-ECP2H-B_REV02														