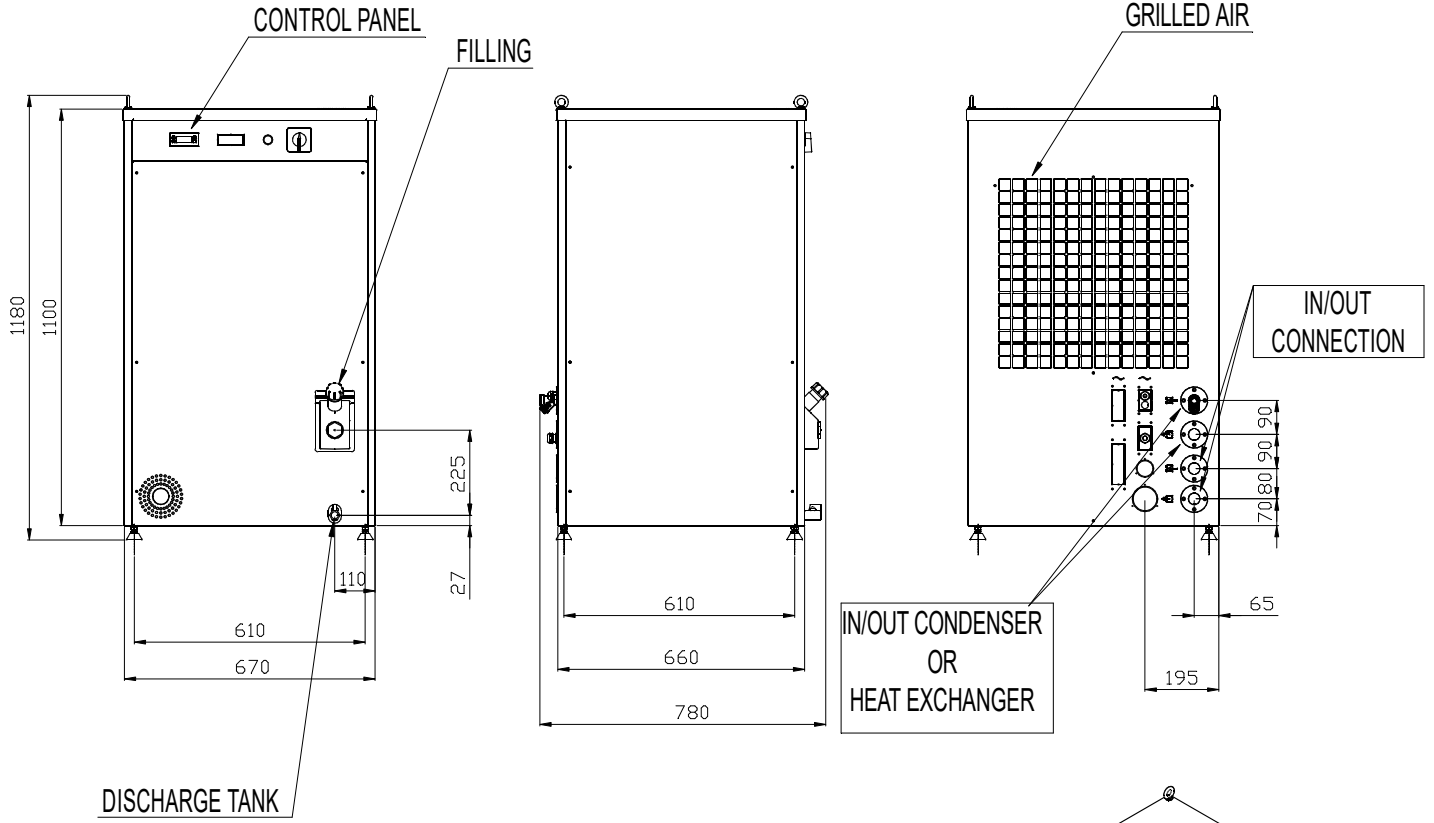


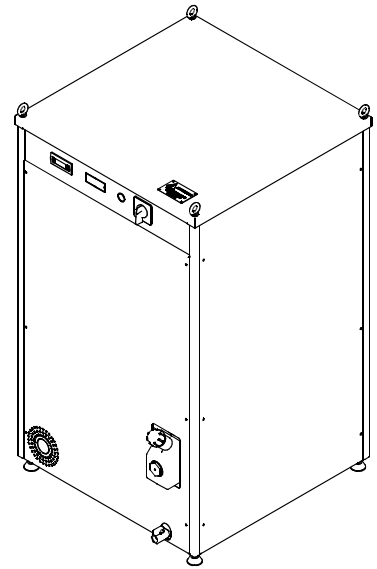
All rights reserved by Euro Cold S.r.l Modena (Italy). These drawings and specifications are the property of Euro Cold S.r.l. and shall not be reproduced, copied or used directly or indirectly for any purpose without the express written permission of EURO COLD S.r.l

TECHNICAL DATA ARE SUBJECT TO CHANGE WITHOUT PRIOR NOTICE AND OVERALL DIMENSION CAN CHANGE DUE TO THE REQUESTED ACCESSORIES.

FRAME W-SCW ECP3-B



HYDRAULIC CONNECTION SIZES	
W-SCW ECP3-B	
IN	G.1"
OUT	G.1"



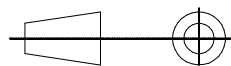
Material: Thickness: Z Y X W V U T S R Q P O N M L K J I H G F E D C B A

EDITION



EURO COLD srl
 Tel. +39.059.817.8138
 www.eurocold.it

Scale :



Designed:

Date: 09-01-2025

Sign:

Title:

Weight (g)

Model number:

Code:

Q.ty:

Drawing number:

W-SCW_ECP3-B_REV01